

[圧力]の種類を以下に示す。0, 500

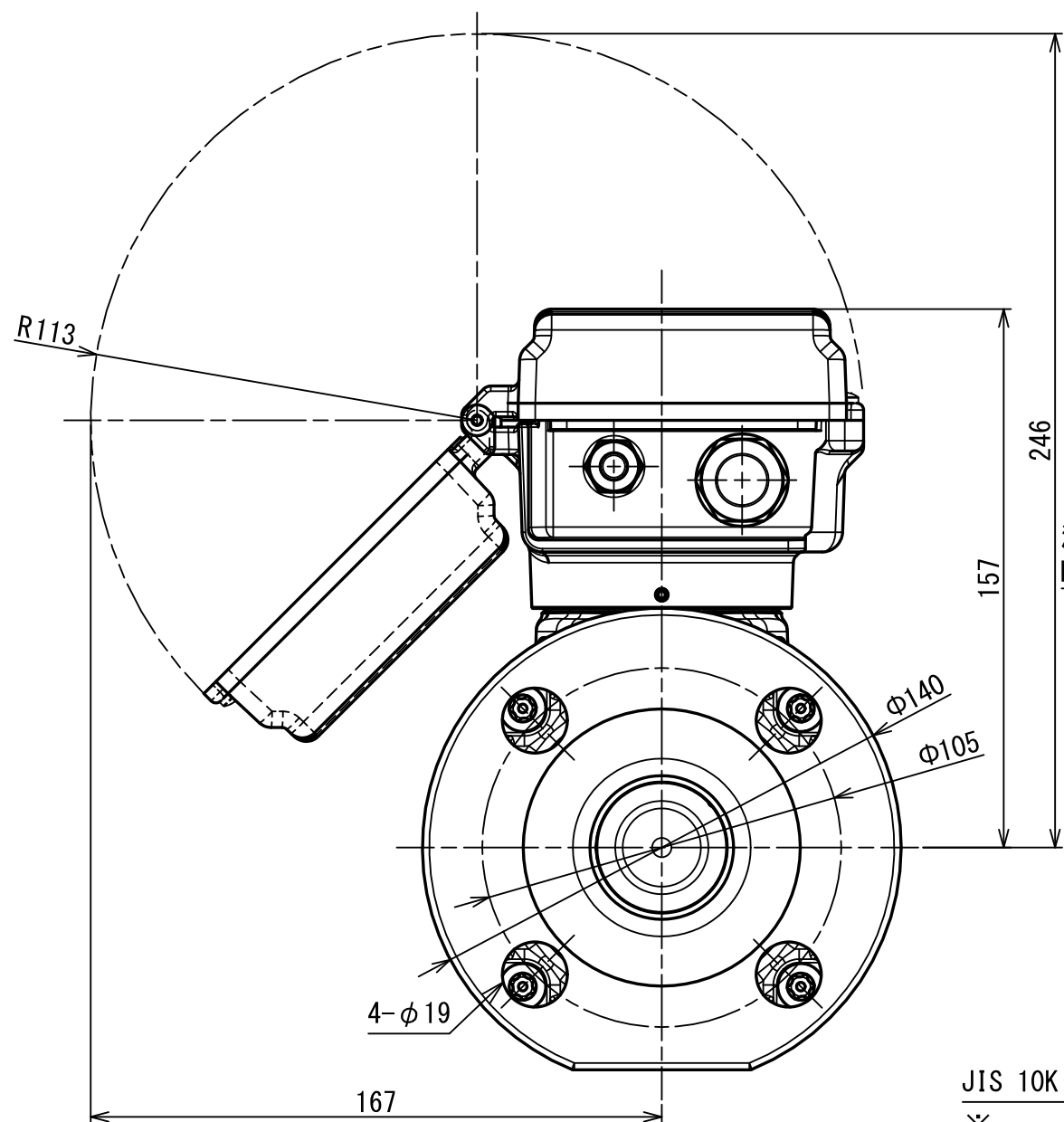
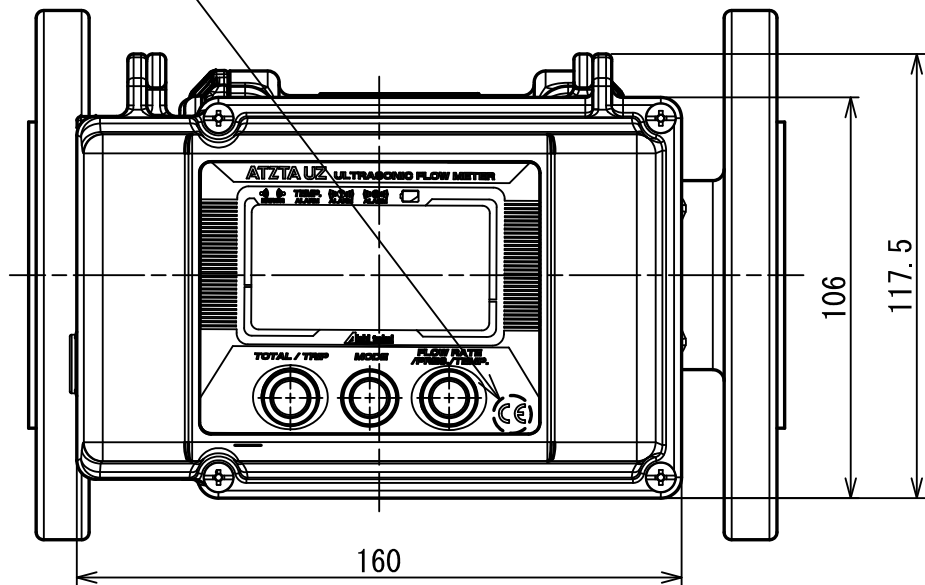
Selection of pressure sensor types, to be entered in "[圧力(Pressure)]" as the model, is shown as follows: 0, 500

BT, DCのみCEマーキング有

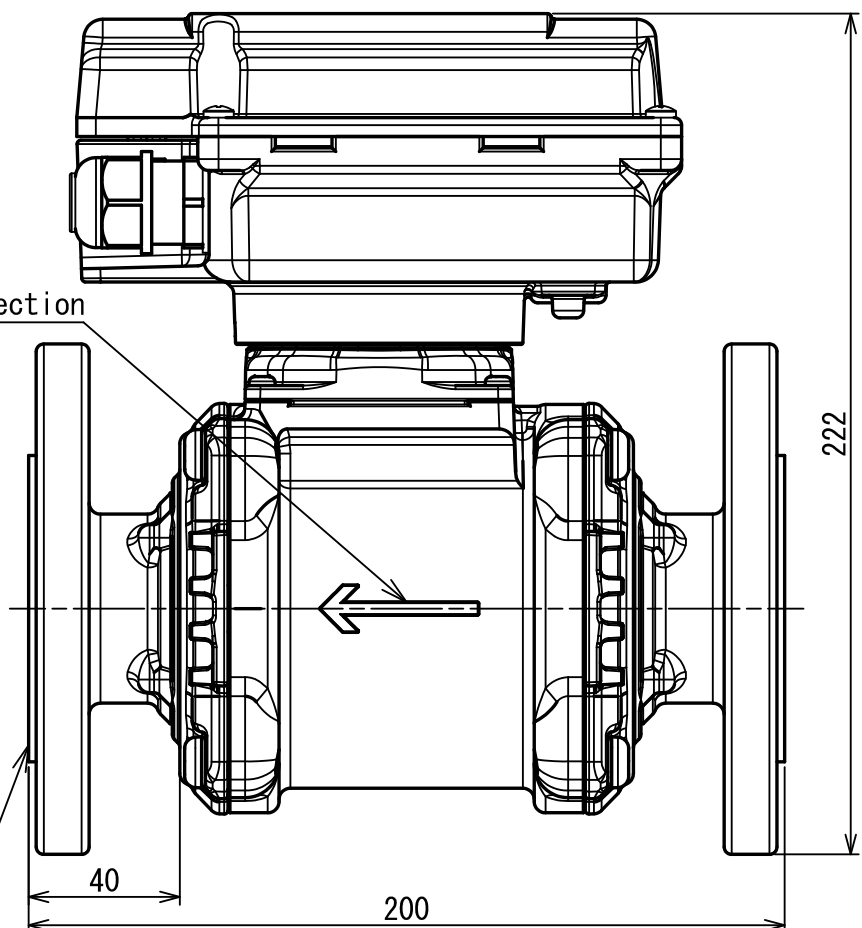
CE marking is applied for BT and DC types only.

[電源]の種類を以下に示す。BT, AC, DC

Selection of power supply types, to be entered in "[電源(power supply)]" as the model, is shown as follows: BT, AC, DC



流れ方向  
Flow Direction



JIS 10K Flange  
※

UZ40-[圧力][電源]-R  
型式  
MODEL

No	D1	D2	C
1			
2			
3			
4			
5			
6			
7			
8			
9			
10			
11			
12			
13			
14			
15			
S			

尺度 SCALE	年月日 DATE	名称 NAME	図番 DRAWING NUMBER
	2020/02/28	High-performance Ultrasonic Flowmeter for Fuel Gas	UZ40-[圧力][電源]-R