

**SU300-KF**  
 Qs 1000m<sup>3</sup>/h Battery End: \_\_\_\_\_  
 R400  
 MAP 1.0MPa  
 Electromagnetic Flow Meter  
 Made in Japan  
 Aichi Tokai Denki Co., Ltd.  
 1-2-70 Chitose, Atsuta, Nagoya 456-8691, Japan

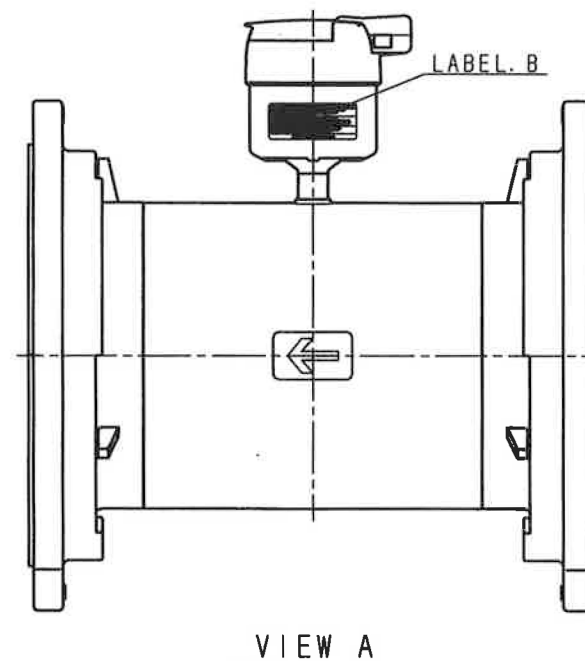
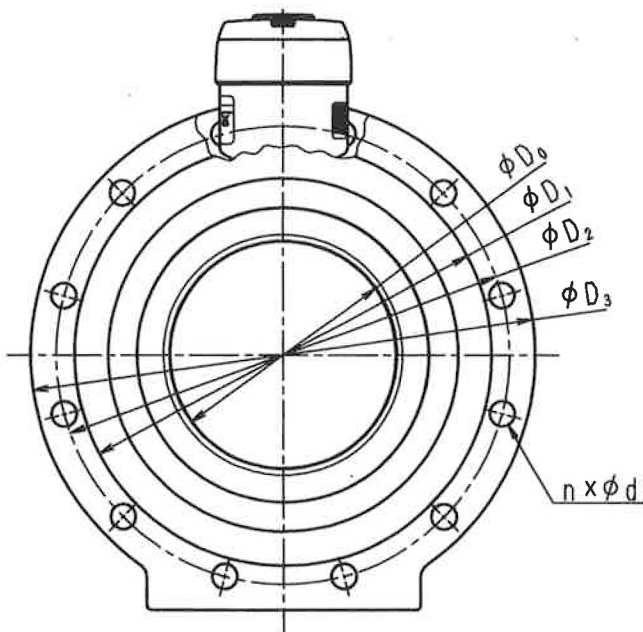
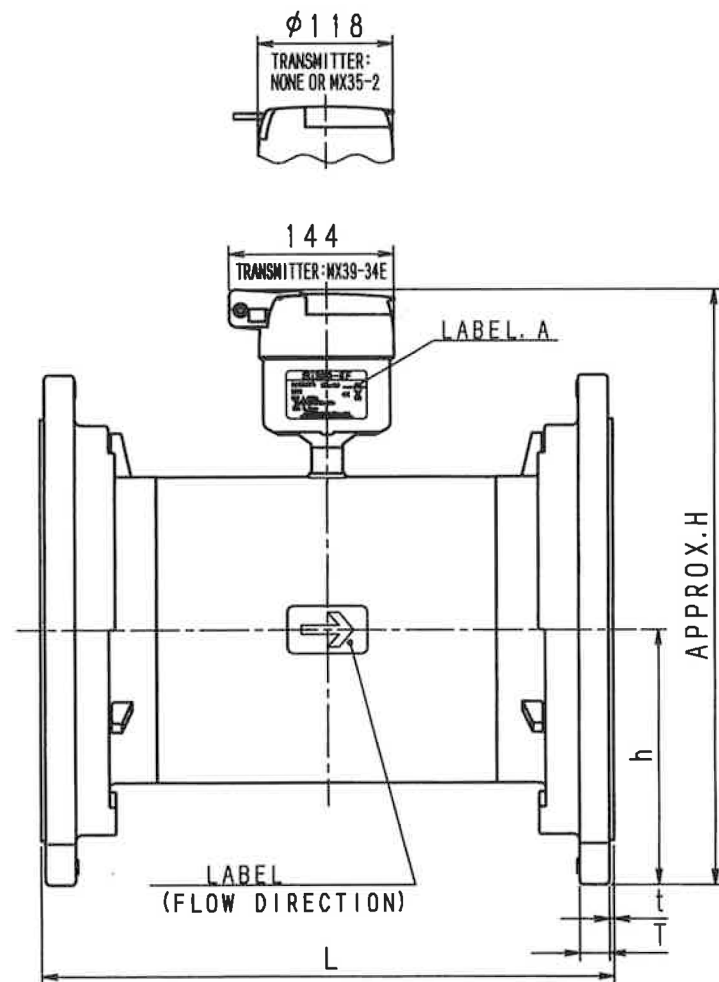
LABEL. A

**SU250-KF**  
 Qs 1000m<sup>3</sup>/h Battery End: \_\_\_\_\_  
 R400  
 MAP 1.0MPa  
 Electromagnetic Flow Meter  
 Made in Japan  
 Aichi Tokai Denki Co., Ltd.  
 1-2-70 Chitose, Atsuta, Nagoya 456-8691, Japan

LABEL. A

- Warning:** For your safety, make sure to follow these instructions.
- 1 Store this product in a place not exposed to fire or direct sunlight. Furthermore, do not place combustible, flammable substances or heating elements around the product.
  - 2 Increase in a temperature of a battery to 100°C or over may cause a rapid chemical change in battery and result in explosion. In case the temperature around this product rises abnormally due to fire, etc., immediately escape from the place and wait until the product cools down.
  - 3 As this product contains lithium batteries, cutting, disassembling, repairing, heating and throwing into fire, etc., must not be done. These may result in heat generation, fire and explosion.
- Aichi Tokai Denki Co., Ltd.

LABEL. B



SPECIFICATIONS

METER NAME	TRANSMITTER
BATTERY-POWERED ELECTROMAGNETIC WATER METER	(DISPLAY ONLY)
BATTERY-POWERED ELECTROMAGNETIC WATER METER WITH REMOTE DISPLAY	MX35-2
BATTERY-POWERED ELECTROMAGNETIC WATER METER WITH PULSE OUTPUT	MX39-34E

DIMENSIONS (UNIT: mm)

MODEL	L	TRANSMITTER: NONE OR MX35-2	TRANSMITTER: MX39-34E	h	φD <sub>0</sub>	φD <sub>1</sub>	φD <sub>2</sub>	φD <sub>3</sub>	n x φd	T	t
		APPROX. H	APPROX. H								
SU250-KF	450	489.5	492.5	197.5	199	320	350	395	12 x 22	26	3.1
SU300-KF	500	514.5	517.5	222.5	199	368	400	445	12 x 22	26	3.9

FLANGE STANDARD: ISO PN10

TOLERANCE	SCALE	MATERIAL				
ADS C4-01-						
ADS C4-01-						
PROJECTION	TREATMENT					
APPROVED	CHECKED	DRAWN	DATE	N A M E	DRAWING NUMBER	
<i>S. Sakurai</i>	<i>M. Mizuno</i>	<i>J. Morita</i>	APR. 16, 2021	OUTLINE DRAWING	SU250-300-KF	