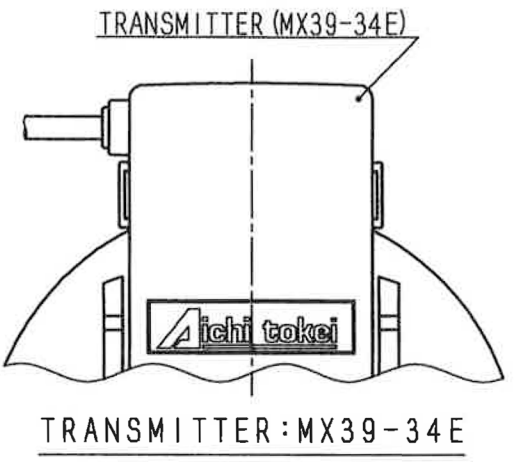
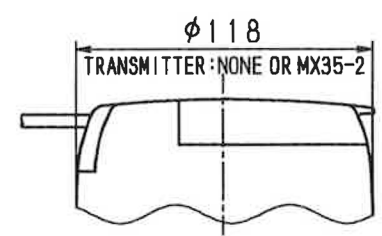
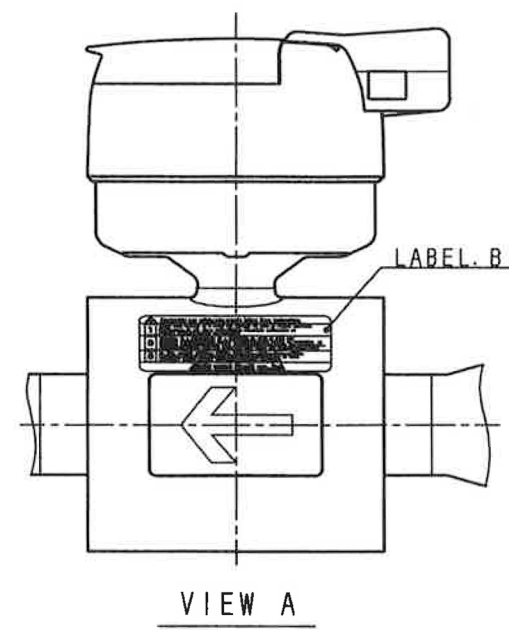
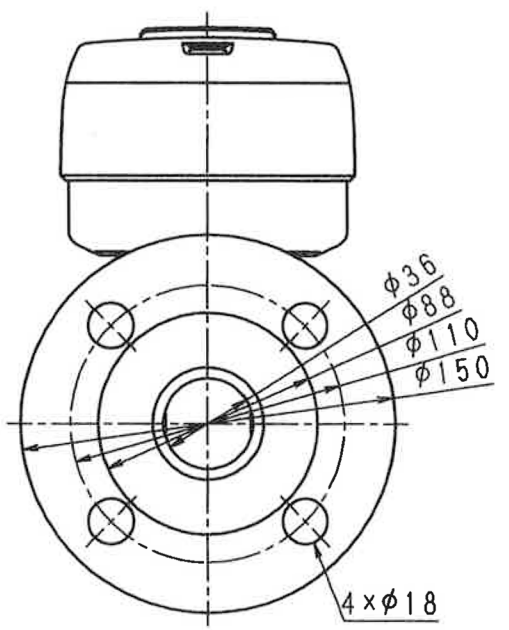
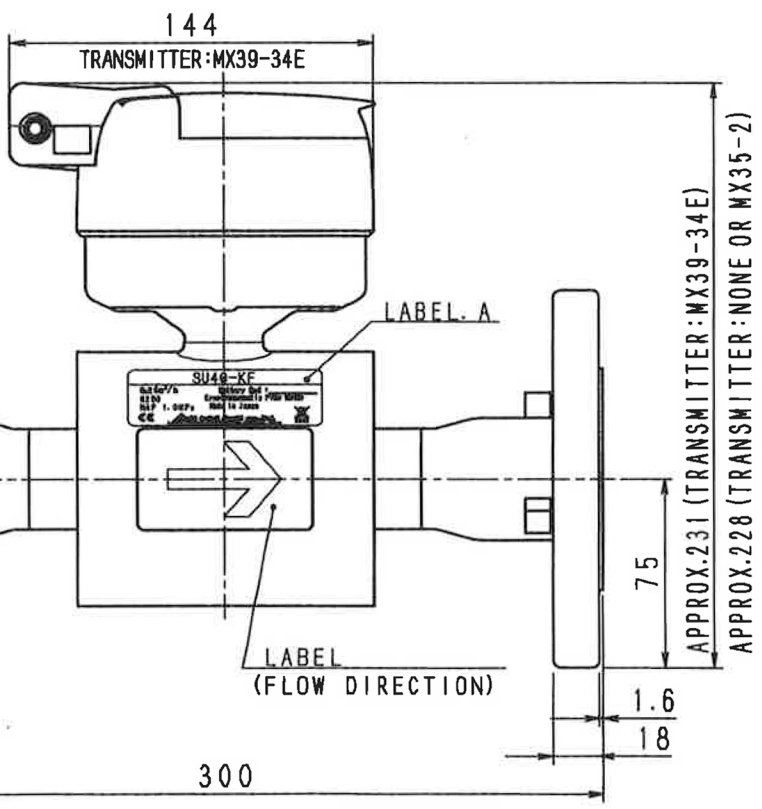


SU40-KF
Q.25m³/h Battery End :
R250 Electromagnetic Flow Meter
MAP 1.0MPa Made in Japan
Aichi Tokai denki co., Ltd.
1-2-70 Chitose, Aizawa, Nagoya 456-8691, Japan



Warning: For your safety, make sure to follow these instructions.
1 Store this product in a place not exposed to fire or direct sunlight. Furthermore, do not place combustible, flammable substances or heating elements around the product.
2 Increase in a temperature of a battery to 100°C or over may cause a rapid chemical change in battery and result in explosion. In case the temperature around this product rises abnormally due to fire, etc., immediately escape from the place and wait until the product cools down.
3 As this product contains lithium batteries, cutting, disassembly, deformation, heating and throwing into fire, etc., must not be done. These may result in heat generation, fire and explosion.
Aichi Tokai denki co., Ltd.



| | | | | |
|----|--|--|--|--|
| 1 | | | | |
| 2 | | | | |
| 3 | | | | |
| 4 | | | | |
| 5 | | | | |
| 6 | | | | |
| 7 | | | | |
| 8 | | | | |
| 9 | | | | |
| 10 | | | | |
| 11 | | | | |
| 12 | | | | |
| 13 | | | | |
| 14 | | | | |
| 15 | | | | |
| S | | | | |

SPECIFICATIONS FLANGE STANDARD: ISO PN10

| METER NAME | TRANSMITTER |
|---|----------------|
| BATTERY-POWERED ELECTROMAGNETIC WATER METER | (DISPLAY ONLY) |
| BATTERY-POWERED ELECTROMAGNETIC WATER METER WITH REMOTE DISPLAY | MX35-2 |
| BATTERY-POWERED ELECTROMAGNETIC WATER METER WITH PULSE OUTPUT | MX39-34E |

| TOLERANCE | SCALE | MATERIAL | | | | | |
|------------|-----------|-----------|---------------|-----------------|--|----------------|--|
| ADS C4-01- | | | | | | | |
| ADS C4-01- | | | | | | | |
| PROJECTION | TREATMENT | | | | | | |
| | | | | | | | |
| APPROVED | CHECKED | DRAWN | DATE | NAME | | DRAWING NUMBER | |
| H. Sakurai | M. Nijima | J. Morita | APR. 16, 2021 | OUTLINE DRAWING | | SU40-KF | |