

型式 Model	口径 Diameter	接続 Connection
UX15-0[電源]-[流れ方向]	15A	Rc1/2
UX25-0[電源]-[流れ方向]	25A	Rc1

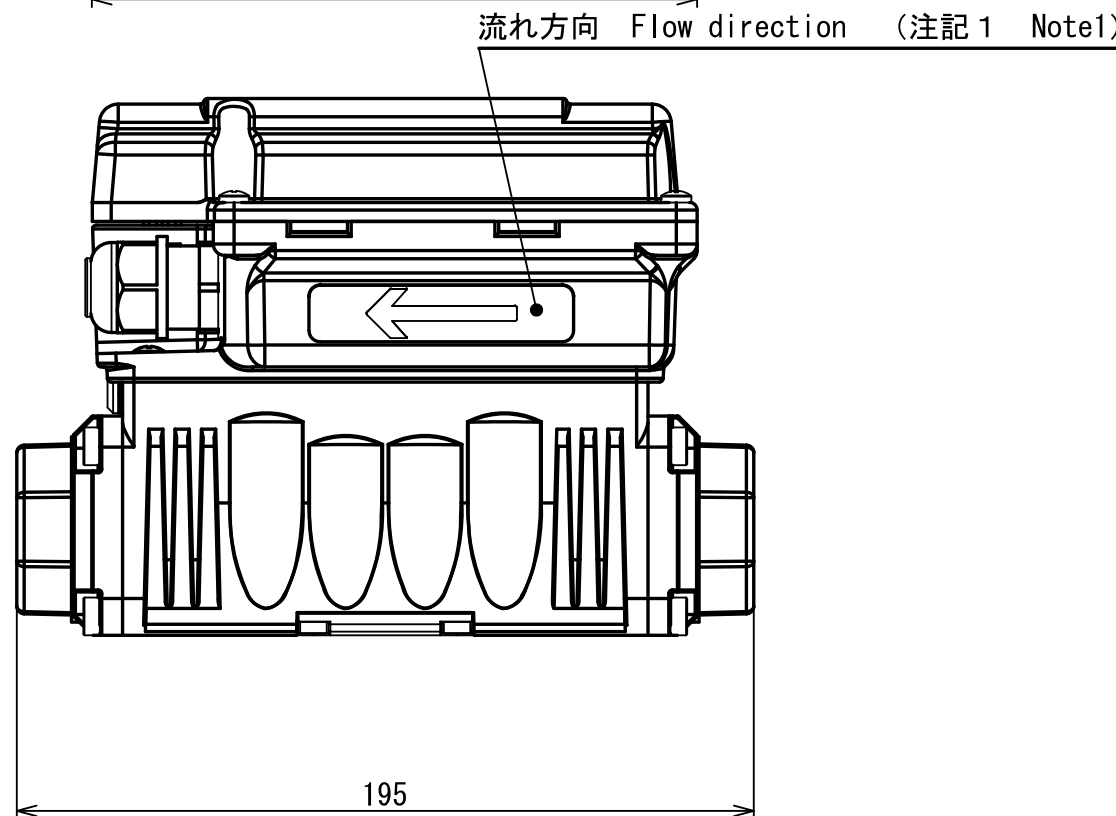
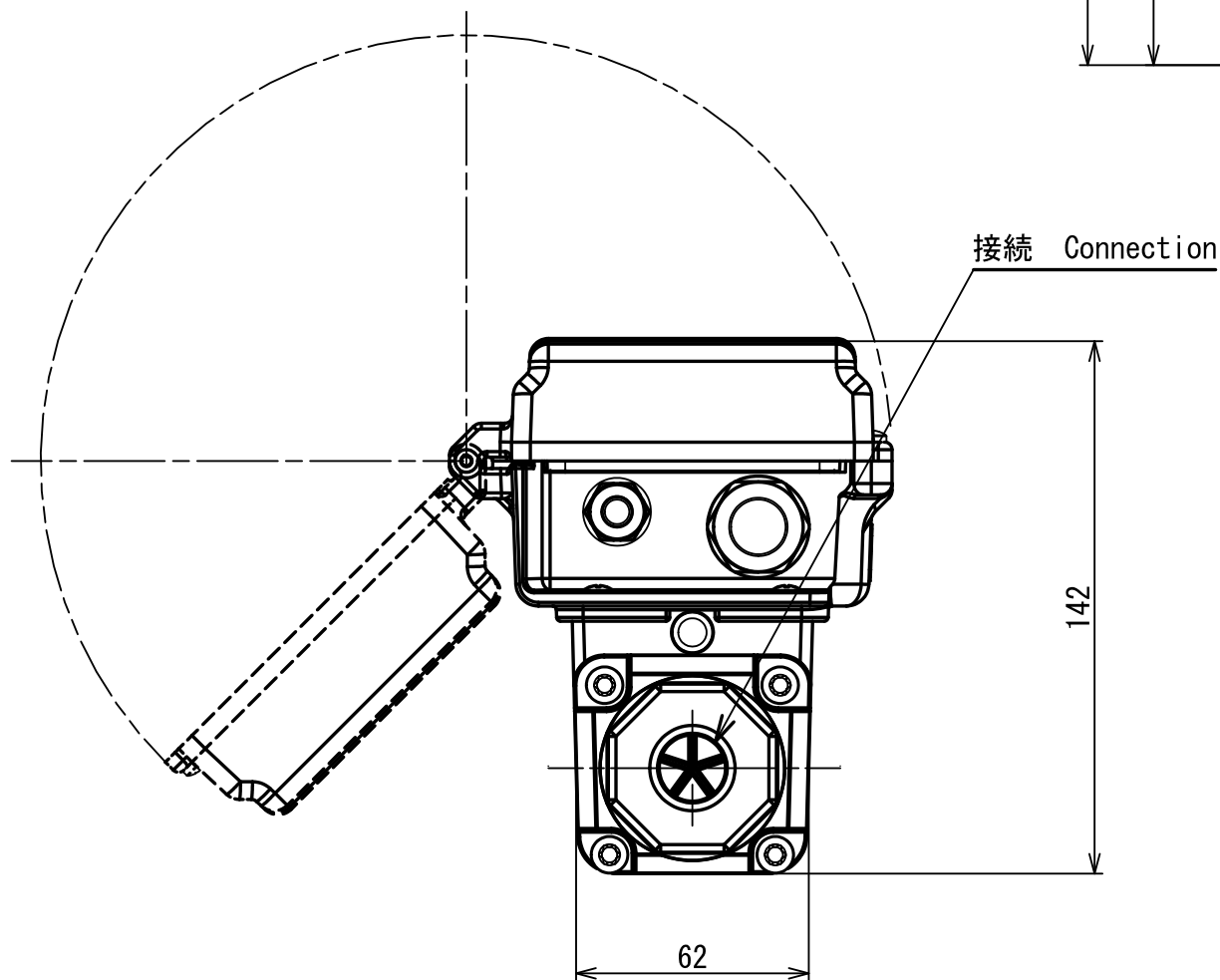
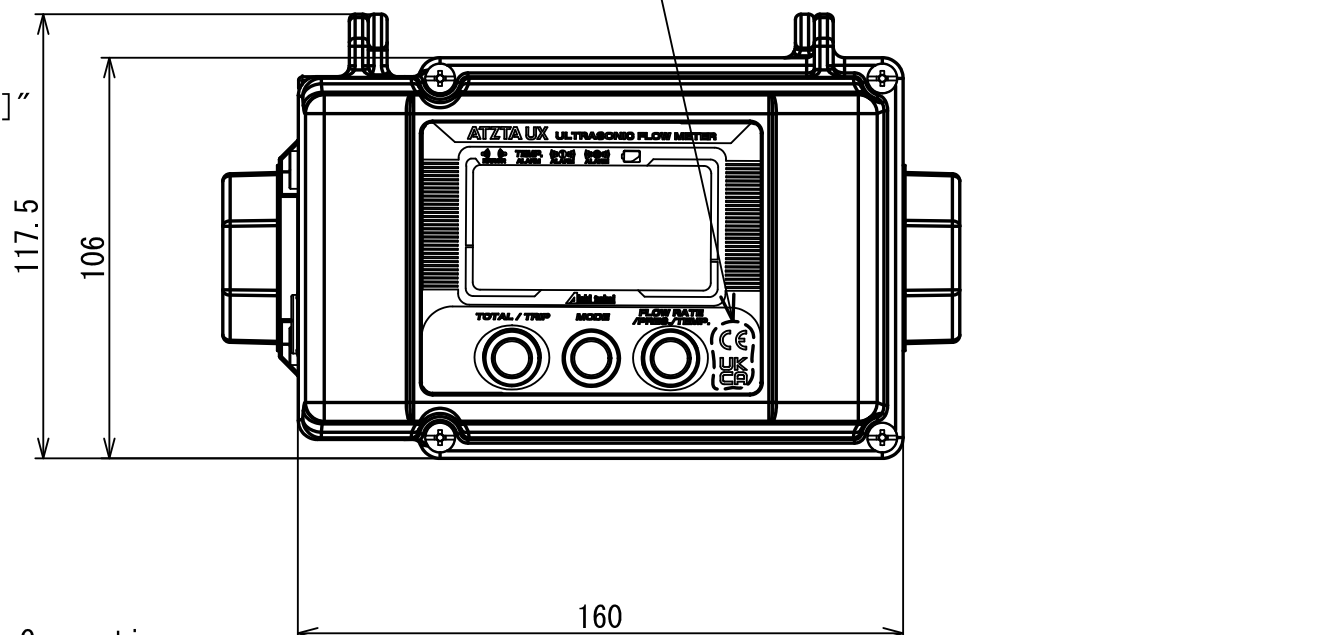
[電源]の種類を以下に示す。BT、AC、DC

Selection of power supply types, to be entered in "[電源(power supply)]" as the model, is shown as follows: BT, AC, DC

[流れ方向]の種類を以下に示す。L、R

Selection of power supply types, to be entered in "[流れ方向(flow direction)]" as the model, is shown as follows: L, R

BT, DCのみCEマーキング及びUKCAマーキング有
CE marking & UKCA marking is applied for BT and DC types only.



注記1. 流れ方向を示す矢印シールの向きは、以下の通り。

R(流れ方向が表示部に対して左から右)は、本図の通り。

L(流れ方向が表示部に対して右から左)は、本図と逆向き。

Note1. The direction of the arrow seal indicating the flow direction is as follows.

R (flow direction from left to right with respect to the display) is as shown in this figure.

L (flow direction from right to left with respect to the display) is opposite to this figure.

No	D1	D2	C
1			
2			
3			
4			
5			
6			
7			
8			
9			
10			
11			
12			
13			
14			
15			
S			

UX15-0[電源]-[流れ方向]
UX25-0[電源]-[流れ方向]
型 式
MODEL

尺度 SCALE	年月日 DATE	名 称 NAME	図 番 DRAWING NUMBER
1:2	2022/11/25	Ultrasonic Flowmeter for Fuel Gas	UX[口径]-0[電源]-[流れ方向]