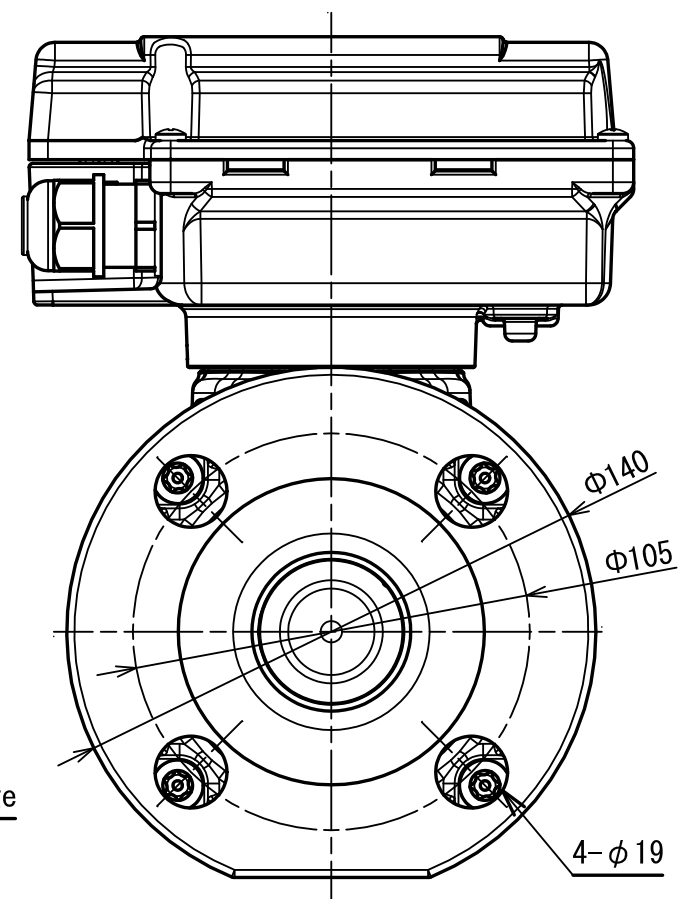
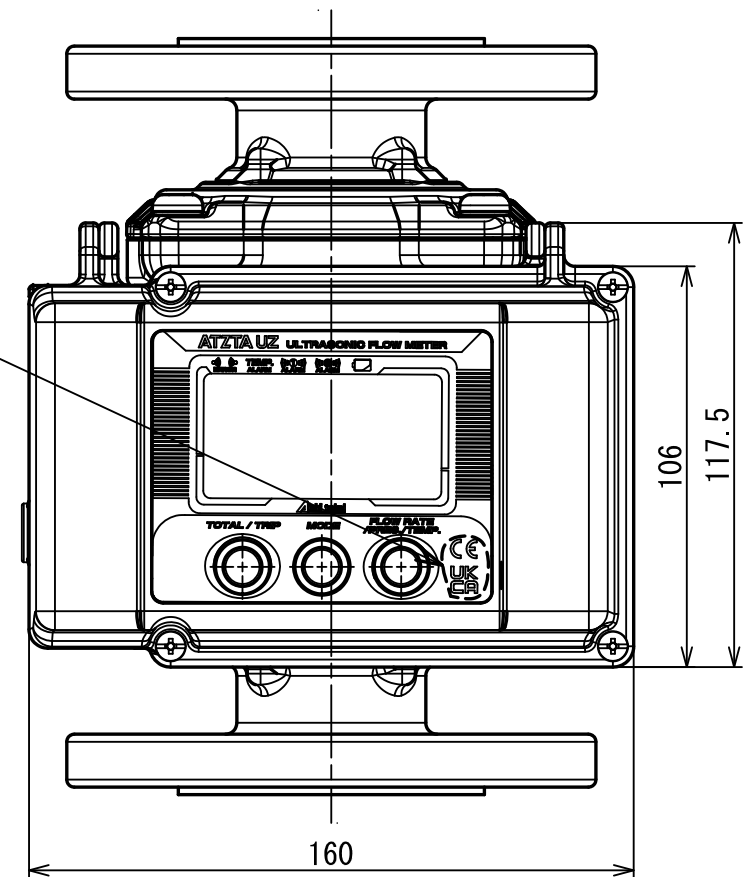
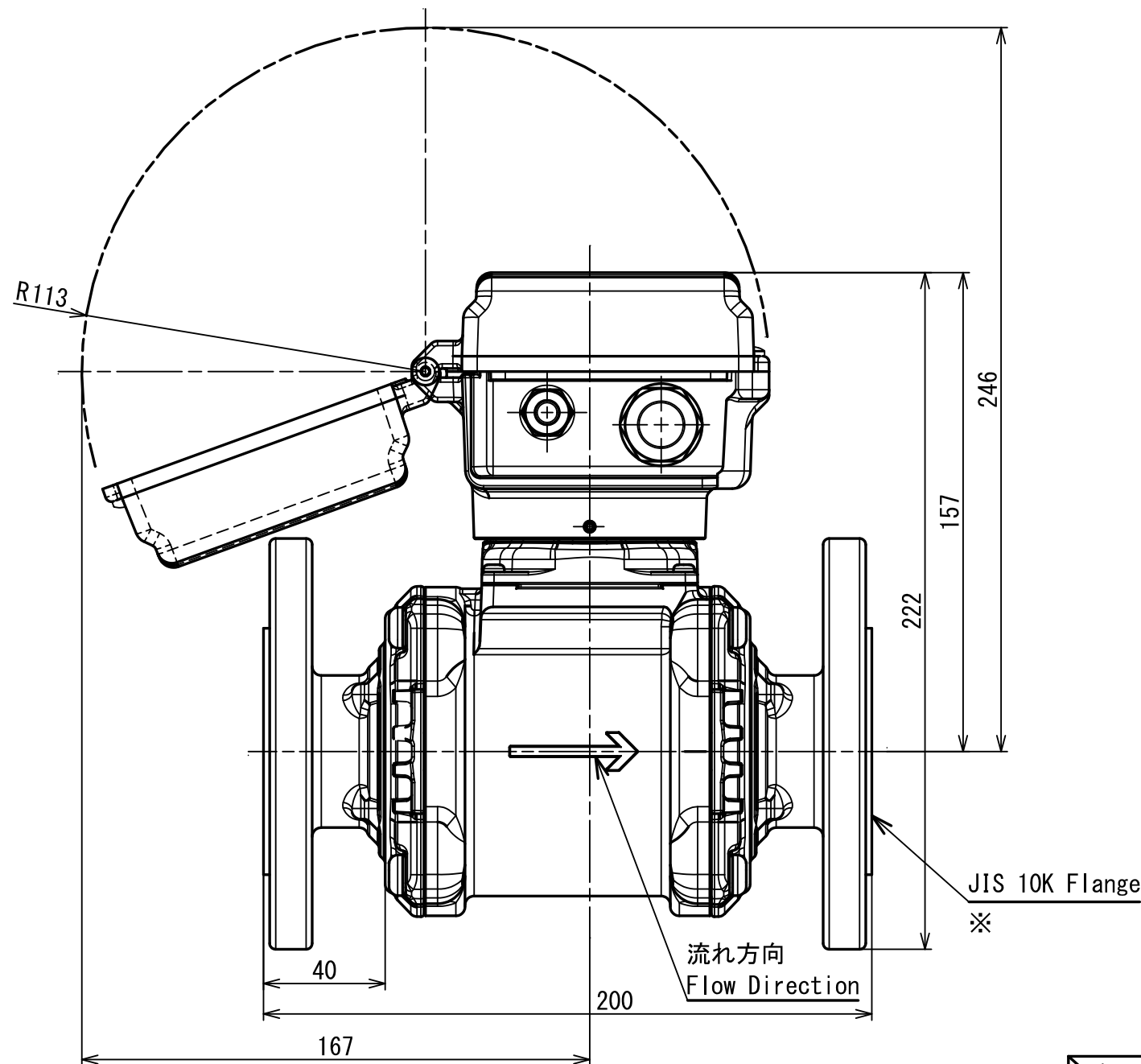


[圧力]の種類を以下に示す。0, 500
 Selection of pressure sensor types, to be entered in "[圧力(Pressure)]"
 as the model, is shown as follows: 0, 500

[電源]の種類を以下に示す。BT、AC、DC
 Selection of power supply types, to be entered in "[電源(power supply)]"
 as the model, is shown as follows: BT, AC, DC

BT, DCのみCEマーキング及びUKCAマーキング有
 CE marking & UKCA marking is applied for BT and DC types only.



| No | D1 | D2 | C |
|----|----|----|---|
| 1 | | | |
| 2 | | | |
| 3 | | | |
| 4 | | | |
| 5 | | | |
| 6 | | | |
| 7 | | | |
| 8 | | | |
| 9 | | | |
| 10 | | | |
| 11 | | | |
| 12 | | | |
| 13 | | | |
| 14 | | | |
| 15 | | | |
| S | | | |

| |
|-----------------|
| UZ40-[圧力][電源]-D |
| 型 式 |
| MODEL |

| | | | |
|-----------|------------|---|--------------------|
| 尺 寸 SCALE | 年 月 日 DATE | 名 称 NAME | 図 番 DRAWING NUMBER |
| 1:2 | 2022/11/24 | High-performance Ultrasonic Flowmeter for Fuel Gas | UZ40-[圧力][電源]-D |